

# STANDARD CAMERA

## MSC-512E

### 680TVL/D-WDR CCTV CAMERA

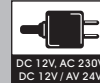


#### - FEATURES -

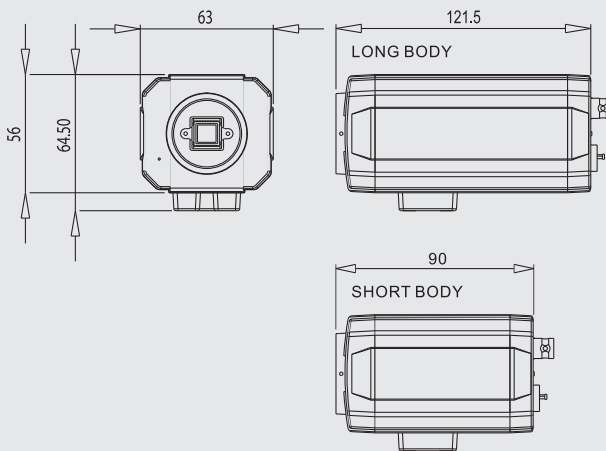
- 1/3" SONY 960H Ex-view HAD II CCD (Effio-E)
- 680TV Lines Horizontal Resolution
- Excellent Low Light Sensitivity of 0.08Lux/F1.2
- Day & Night
- Digital WDR : Digital Wide Dynamic Range
- DNR :Digital Noise Reduction
- HLC : Highlight Suppress BLC
- High sensitivity and high saturation signal
- Privacy Zone, Motion Detection
- OSD Menu Control by Push Button
- Strong Compatibility with Various Lens Type

\* **MSC-524E** : DC 12V / AC24V

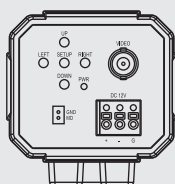
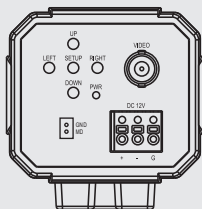
\* **MSC-523E** : AC 230V



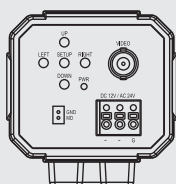
#### - DIMENSION -



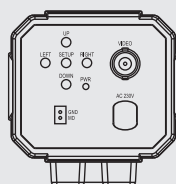
#### - REAR VIEW -



DC12V



DC12V / AC24V



AC230V

#### - SPECIFICATIONS -

MSC-512E		
Signal Format	NTSC	PAL
Horizontal Resolution	680TV Lines	
Image Sensor	1/3" SONY 960H Ex-view HAD II CCD (Effio-E)	
Total Pixels	1020(H) x 508(V)	1020(H) x 596(V)
Effective Pixels	976(H) x 494(V)	976(H) x 582(V)
Scanning System	2:1 Interlace	
Synchronization	Internal	
Scanning Frequency	15.734 KHz(H), 59.94 Hz(V)	15.625 KHz(H), 50.00 Hz(V)
Video Output	CVBS : 1.0Vp-p/75Ω	
Min. Illumination	Color : 0.1 Lux(50IRE) / 0.02Lux(15IRE) @ F1.2 B/W : 0.08Lux(50IRE) / 0.002Lux(15IRE) @ F1.2	
Electronic Shutter	1/60 ~ 1/100,000 sec	1/50 ~ 1/100,000 sec
Iris Control	DC / MANUAL	
Signal to Noise Ratio	52dB	
Backlight Compensation	BLC / HLC / OFF	
White Balance	ATW/PUSH/USER1/USER2/ANTI CR/MANUAL/PUSH LOCK	
Gain Control	Level Setting	
DNR	ON / OFF	
Day & Night	AUTO / COLOR / BW	
Digital WDR	ON / OFF	
Gamma	0.45	
Motion Detection	ON / OFF	
Privacy	ON / OFF (8 Zone)	
Alarm Output	1ea	
Etc. Function	Image mirror, Adjust brightness, Adjust contrast, Adjust sharpness, Adjust HUE, Adjust GAIN	
Camera ID	ON / OFF	
OSD	Built-in (ENG, JPN, GER, FRN, RUS, POR, SPN, CHN)	
Input Voltage /	MSC-512E : DC 12V (±10%), Max. 2.0W	
Power Consumption	MSC-524E : DC 12V / AC 24V, Max. 4.0W MSC-523E : AC 230V, Max. 6.5W	
Operating Temp/Hum	Temperature : -10°C to +50°C / Humidity : 30% to 80% RH	
Storage Temp/Hum	Temperature : -20°C to +60°C / Humidity : 20% to 90% RH	
Dimension	63.0(W) x 64.5(H) x 121.5(D)mm	
Weight	Approx. 320g (MSC-512E)	