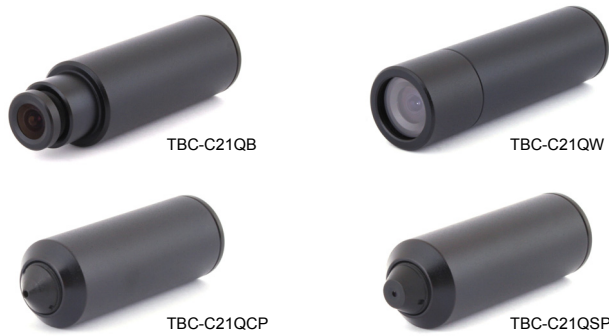


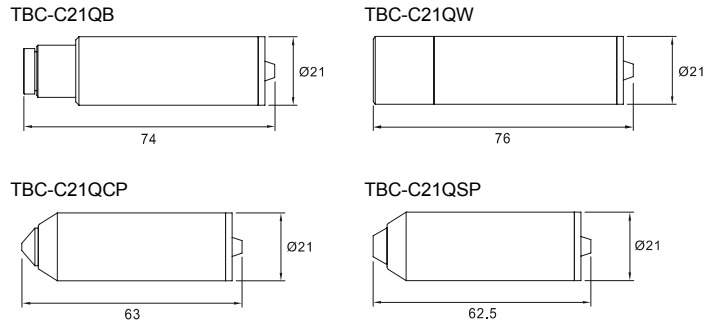
CMOS COLOR BULLET CAMERA

OPERATION / INSTALLATION MANUAL



TBC-C21Q Series

DIMENSION



SPECIFICATIONS

TBC-C21Q Series	
Signal Format	NTSC / PAL
Horizontal Resolution	540TV Lines
Image Sensor	1/3" CMOS Image Sensor
Total Pixels	762(H) x 504(V)
Effective Pixels	728(H) x 488(V)
Scanning System	2:1 Interlace
Synchronization	Internal
Scanning Frequency	15.734 KHz(H), 59.94 Hz(V)
Video Output	CVBS : 1.0Vp-p/75Ω
Min. Illumination	0.1Lux/F1.2
Iris Control	AUTO
Signal to Noise Ratio	More than 48dB
White Balance	AUTO
Gain Control	AUTO
Lens	TBC-C21QB / TBC-C21QW : Board Lens f=3.6 / 6.0 / 8.0 / 12.0mm TBC-C21QCP : Conical Pinhole Lens f=3.3 / 4.3mm TBC-C21QSP : Semi Pinhole Lens f=3.7mm
Input Voltage	DC 12V (±10%)
Power Consumption	Max. 0.8W
Operating Temperature	-10°C ~ +50°C
Operating Humidity	30% ~ 90% RH
Dimension	TBC-C21QB : 21(Ø) x 74(D)mm TBC-C21QW : 21(Ø) x 76(D)mm TBC-C21QCP : 21(Ø) x 63(D)mm TBC-C21QSP : 21(Ø) x 62.5(D)mm
Weight	Approx. 70g

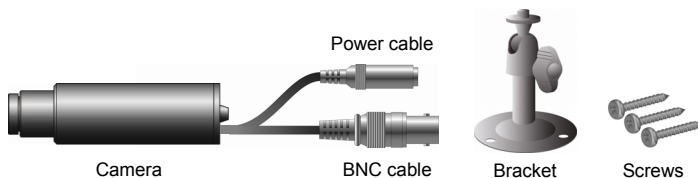
PRECAUTIONS

1. Recommend to use a regulated DC 12V power supply unit with camera for best picture and for safe operation of the unit. Unregulated DC 12V power supply usually provides around 10V~14V after loaded and can cause damage on the camera.
2. Recommend to use the camera with the monitor which has the standard video input impedance level of 75Ω. If in any case your monitor is set to high impedance mode, please switch the monitor standard impedance position. If the monitor does not have the impedance adjust switch, please ask us for a camera suitable for your monitor.
3. Do not attempt to disassemble the camera. There are no user serviceable parts inside.
4. Never face the camera toward the sun. It may cause a smear on the picture when the camera is directly faced to the sun or spot lights or lights reflecting objects.
5. Do not expose the camera to rain or moisture, or do not try to operate the camera in wet area. Moisture can damage the camera and can create the danger of electric shock.

FEATURES

- 1/3" CMOS Image sensor
- 540TV Lines Horizontal resolution
- Excellent low light sensitivity of 0.1Lux/F1.2
- Auto white balance
- Auto gain control
- Board lens f=3.6 / 6.0 / 8.0 / 12.0mm (TBC-C21QB, TBC-C21QW)
Conical pinhole lens f=3.3 / 4.3mm (TBC-C21QCP)
Semi pinhole lens f=3.7mm (TBC-C21QSP)
- IP67 Weatherproof type (TBC-C21QW)

CAMERA COMPONENTS



CONNECTING CABLE

