

IR LED CAMERA

TEC-C212QS2

12 IR LED 3D-DNR CAMERA



- FEATURES -

- 1/3" SONY High-Resolution Super HAD CCD II
- Color 580TV Lines, B/W 700TV Lines
- Excellent Low Light Sensitivity of 0.15Lux/F1.5 (LED Off)
- Sens-up x2 ~ x256 (Color : 0.0006Lux, B/W : 0.000004Lux)
- 12pcs IR-LED for night vision (0 Lux)
- 3D DNR : Digital Noise Reduction
- HLC : High Light Compensation
- DIS : Digital Image Stabilizer
- Visibility Range : 12~15m
- Fixed Lens : 2.9mm

Option

- I-Type, Audio



1/3 SONY DSP
Super HAD CCD



Color



Day & Night



3D-DIGITAL
NOISE REDUCTION



Sens-up
0.000004Lux



12pcs IR LED

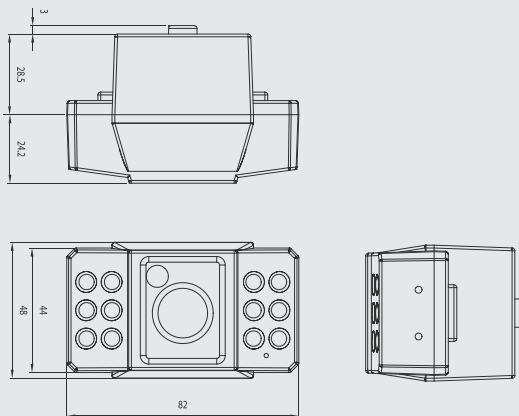


BOARD LENS



DC 12V

- DIMENSION -



- I-TYPE -



TEC-C212QS1

- SPECIFICATIONS -

TEC-C212QS2		
Signal Format	NTSC	PAL
Horizontal Resolution	Color : 580TV Lines, B/W : 700TV Lines	
Image Sensor	1/3" SONY High-Resolution Super HAD CCD II	
Effective Pixels	768(H) x 494(V)	752(H) x 582(V)
Scanning System	2:1 Interlace	
Synchronization	Internal	
Scanning Frequency	15.734 KHz(H), 59.94 Hz(V)	15.625 KHz(H), 50.00 Hz(V)
Video Output	CVBS : 1.0Vp-p/75Ω	
Min. Illumination	LED OFF : 0.15Lux(Color), 0.0006Lux(Sens-up), LED ON : 0Lux LED OFF : 0.001Lux(B/W), 0.000004Lux(Sens-up), LED ON : 0Lux	
Electronic Shutter	1/60 ~ 1/120,000 sec	1/50 ~ 1/120,000 sec
IRIS Control	MANUAL	
Signal to Noise Ratio	52dB (AGC Off, Weight On)	
Backlight Compensation	Auto	
White Balance	Auto	
Gain Control	Auto	
DNR	Digital Noise Reduction	
Day & Night	Auto	
Sens-up	Auto	
DIS	Digital Image Stabilizer	
Lens	Board Lens : 2.9mm	
Input Voltage	DC 12V (±10%)	
Power Consumption	LED OFF : Max 2.0W, LED ON : Max. 6.4W	
Operating Temp / Hum	-10°C to +50°C / 30% to 90% RH	
Storage Temp / Hum	-20°C to +60°C / 20% to 100% RH	
Dimension	82(W) x 48(H) x 55.7(D)mm	
Weight	Approx. 170g(W/O Bracket)	
Option	I-Type, Audio	