

TEC-S4520/DV28

2.1 MEGA PIXEL / WDR / TDN / 45 IR LED CAMERA



IP66

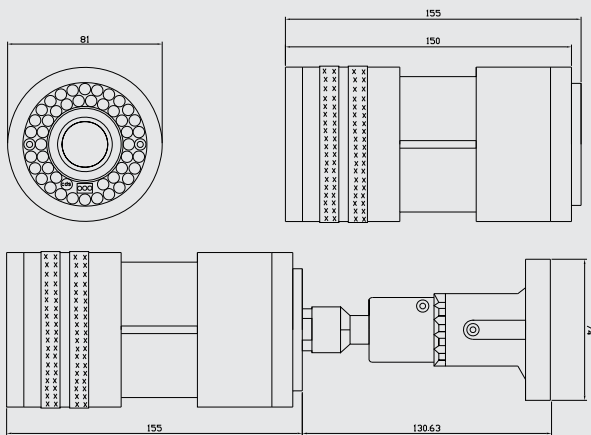


- FEATURES -

- HD-SDI 1080p (1920x1080) Dome camera
- 1/3" 2.1M CMOS Progressive Image Sensor
- Standard HD-SDI (SMPTE 292M) compatible
- Standard resolution (SMPTE 274M) compatible
- High-performance under low light environment (BW : 0.0005Lux / Color : 0.2Lux@50IRE, F1.2, 3100K)
- Support DNR function eliminating noise under low illumination
- Support WDR function under back light environment
- Support IR cut filter removable (ICR Type) of TDN
- Support privacy mask function
- Easy to use OSD menu as conventional CCTV camera
- 30/25fps selectable
- IR Type LED (45ea)
- DC Varifocal ICR lens f=2.8~10.0mm
- Fan Built-in
- IP66 Weatherproof type
- Split Glasses for IR Reflection
- Adjustable Lens with Opening Case
- Video Looping Out Connector for Easy Installation



- DIMENSION -



- SPECIFICATIONS -

TEC-S4520/DV28			
Camera	Image Sensor	1/3" 2.1Megapixel CMOS	
	Full Resolution	1920(H) x 1080(V) = 2.1M pixels	
	Scanning System	Progressive Scan	
Video	Min. Illumination	BW	0.0005Lux@50IRE, F1.2, 3100K
		Color	0.2Lux@50IRE, F1.2, 3100K
		Filter	True Day & Night
	Lens	Lens	DC Varifocal ICR Lens f=2.8~10.0mm, F1.2
		Control	DC Iris
		Mount	D-Mount
Output	HD-SDI	1 (BNC 1.0Vp-p, 75ohm) SMPTE 292M, 274M (1080p30)	
	Resolution	Digital : 1920x1080p 30fps	
	Distance	Approx. 200m of RG6, 150m of RG59	
Function	Control Method	OSD (5 push button)	
	WDR	WDR WGT / HI CONT / LO CONT	
	AGC	OFF / 0~20	
	ACE	Level (0~15) / GAIN	
	DNR	OFF / LOW / MIDDLE / HIGH	
	DSS	OFF / ON (x2 / x3 / x4)	
	DZOOM	1~16 steps	
	Mirror	Horizontal / Vertical	
	White Balance	AUTO / PRESET / MANUAL	
	Electric Shutter	AUTO / MANUAL (1/30~1/30000, 12 steps)	
	Privacy	ON / OFF (28 Positions)	
Light	IR LED	45 EA	
Electricity	Power Source	DC 12V (±10%)	
Environments	Operation Temperature	0°C ~ 50°C	
	Operation Humidity	0% ~ 80% RH	
Mechanical	Dimension	81(Ø) x 155(D)mm	
	Weight	Approx. 1.2kg (W/Bracket & Sunshield)	

- CONTROLLER -

