

SQUARE CAMERA

TSC-35Q2 Series

600TVL/D-WDR SQUARE CAMERA



- FEATURES -

- 1/3" SONY High-Resolution Super HAD II CCD
- 600TV Lines Horizontal resolution
- Excellent low light sensitivity of 0.3Lux/F1.2
- Digital WDR : Digital Wide Dynamic Range
- DNR : Digital Noise Reduction
- HLC : High Light Compensation
- Blemish Compensation : 64 Points
- Lens Shading
- Parking Line
- IR Smart Day & Night
- Motion Detection : 4 Zone
- Privacy : 8 Zone
- Board Lens f=3.6 / 6.0 / 8.0 / 12.0mm
- Conical Pinhole Lens f=4.3mm
- 35x35mm Size Miniature Camera
- Reverses Polarity Power Input Safety Circuit



1/3 SONY SUPER HAD II CCD



DAY & NIGHT



DIGITAL WDR
DIGITAL WIDE DYNAMIC RANGE



DNR
DIGITAL NOISE REDUCTION



HLC
HIGH-LIGHT COMPENSATION



AUTO IRIS



BOARD LENS



DC 12V

- LENS OPTION -

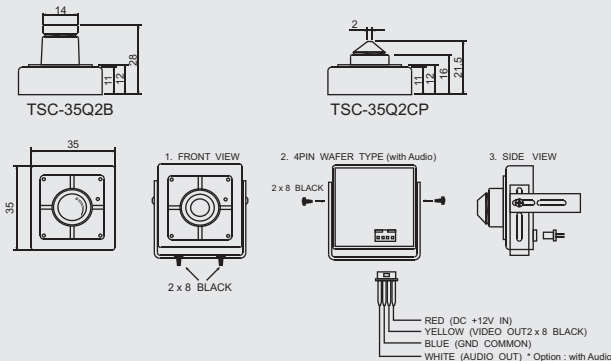


Board Lens
- TSC-35Q2B



Con Pinhole Lens
- TSC-35Q2CP

- DIMENSION -



- SPECIFICATIONS -

| TSC-35Q2 Series | | |
|------------------------|---|----------------------------|
| Signal Format | NTSC | PAL |
| Horizontal Resolution | 600TV Lines | |
| Image Sensor | 1/3" SONY High-Resolution Super HAD II CCD | |
| Total Pixels | 811(H) x 508(V) | 795(H) x 596(V) |
| Effective Pixels | 768(H) x 494(V) | 752(H) x 582(V) |
| Scanning System | 2:1 Interlace | |
| Synchronization | Internal | |
| Scanning Frequency | 15.734 KHz(H), 59.94 Hz(V) | 15.625 KHz(H), 50.00 Hz(V) |
| Video Output | CVBS : 1.0Vp-p/75Ω | |
| Min. Illumination | 0.3Lux/F1.2 | |
| Electronic Shutter | 1/60 ~ 1/100,000 sec | 1/50 ~ 1/100,000 sec |
| Iris Control | MANUAL | |
| Signal to Noise Ratio | 52dB (AGC Off, Weight : On) | |
| Backlight Compensation | BLC / HLC / OFF | |
| White Balance | ATW1 (2,300°K ~ 9,500°K) / ATW2 (2,000°K ~ 11,000°K) / MANUAL | |
| Gain Control | LOW / HIGH / OFF | |
| DNR | ON / OFF (Level Adjustable) | |
| Day & Night | ON (IR SMART) / OFF | |
| Digital WDR | ON / OFF | |
| Motion Detection | ON / OFF (4 Zone, 48x15) | |
| Privacy | ON / OFF (8 Zone) | |
| Horizontal Mirror | ON / OFF | |
| Lens Shading | ON / OFF | |
| Parking Line | User setting (LT, LB, RT, RB, F, N, T) | |
| OSD | Built-in (English, China) | |
| Lens | Board Lens f=3.6 / 6.0 / 8.0 / 12.0mm Conical Pinhole Lens f=4.3mm | |
| Input Voltage | DC 12V (±10%) | |
| Power Consumption | Max. 2.0W | |
| Operating Temp/Hum | Temperature : -10°C ~ +50°C / Humidity : 30% ~ 80% RH | |
| Storage Temp/Hum | Temperature : -10°C ~ +50°C / Humidity : 30% ~ 80% RH | |
| Dimension | 35(W) x 35(H) x 28(D)mm | |
| Weight | Approx. 60g | |

* OSD function is fixed during the manufactured.